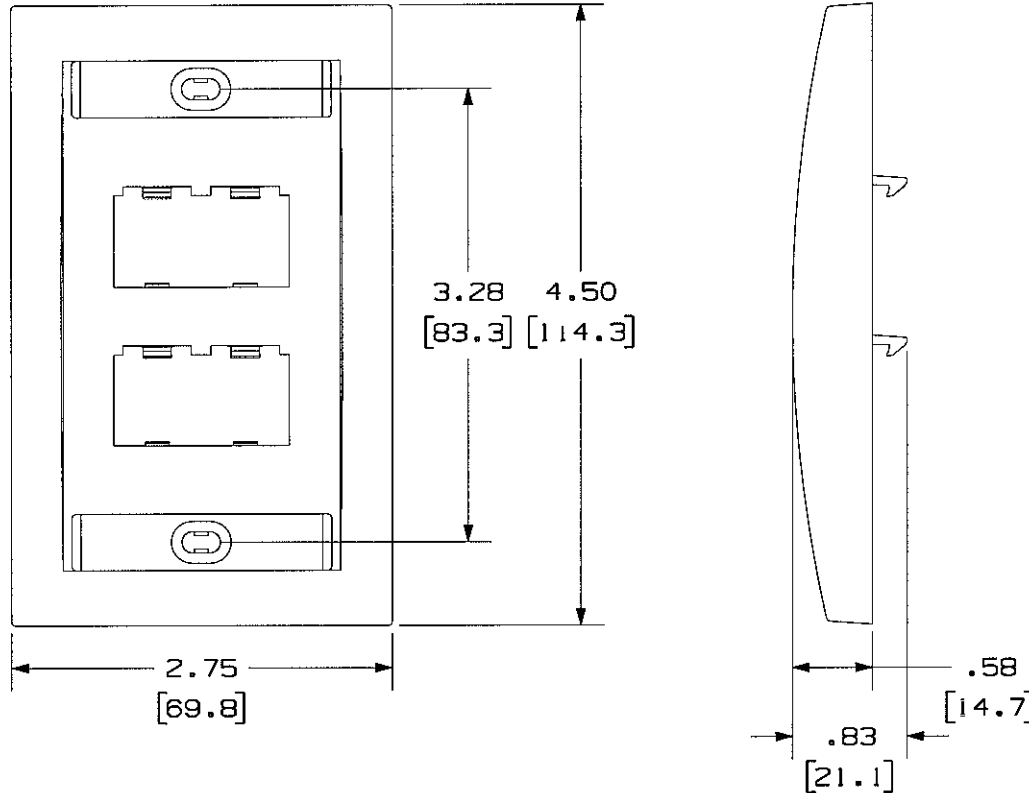


THIS COPY IS PROVIDED ON A RESTRICTED BASIS AND IS NOT TO BE USED IN ANY WAY DETRIMENTAL TO THE INTERESTS OF PANDUIT CORP.

PANDUIT P/N	WEIGHT
CFKE4A6U6J5AMA	1.04 LB/10 PCS (471.7 g/10 PCS)



- NOTES:
- SEE CURRENT CATALOG FOR ADDITIONAL PART NUMBER SUFFIXES TO INDICATE COLOR AND OR PACKAGE QUANTITY.
 - SEE CATALOG FOR COMPLETE LIST OF PARTS APPLICABLE FOR USE WITH THIS PART.
 - DIMENSIONS IN IT ARE IN METRIC.
 - PART INCLUDES:
 - 1- FACEPLATE (1W)
 - 2- LABEL
 - 2- LABEL COVER
 - 2- MOUNTING SCREW
 - 1- MINI-COM TX6 PLUS JACK MODULE (CJ688TGBU)
 - 1- MINI-COM TX6 PLUS JACK MODULE (CJ688TGOR)
 - 1- MINI-COM TX5e JACK MODULE (CJ5E88TGIW)
 - 1- MINI-COM BLANK MODULE (CMB1W)

DRAWING FILENAME M00741NJ_DC128_00A.PRT		SIZE A
MINI-COM 4 POSITION EXECUTIVE SERIES FACEPLATE KIT CUSTOMER DRAWING		
<p>PANDUIT™ CORP. TINLEY PARK, ILL 60477</p>	I.I. NUMBER N/A	
	PRODUCT SPEC N/A	
<p>THIRD ANGLE PROJECTION</p>	WORK INSTRUCTION N/A	
	SCALE NONE	
DRAWN BY JsP	MATERIAL ABS	PART NO. CFKE4A6U6J5AMA
DATE 10-4-06		DRAWING NO. 00741-128

REV	DATE	BY	CHK	DESCRIPTION	ECN	R	CUST	SUP	OTH
R	10-4-06	JsP	<i>Ms</i>	RELEASED TO PRODUCTION	00741-128	<i>Ms</i>	<i>Ms</i>		